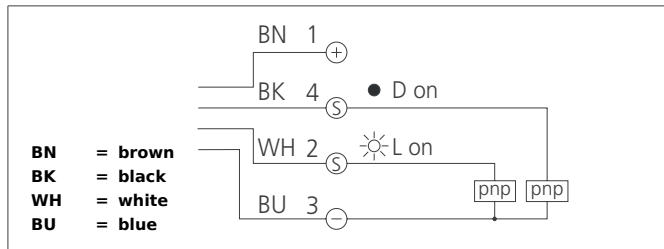
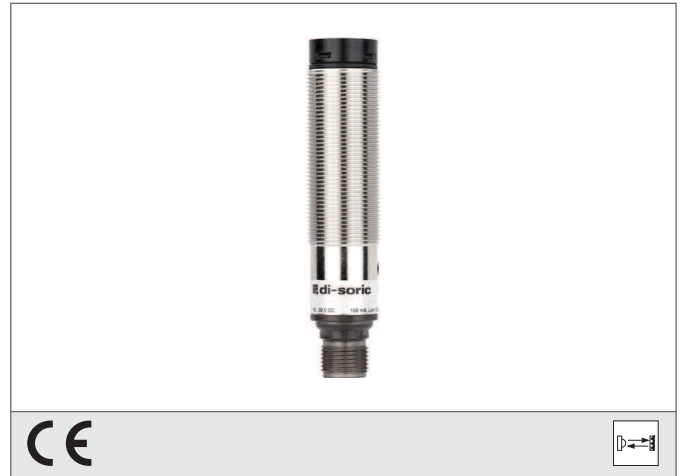


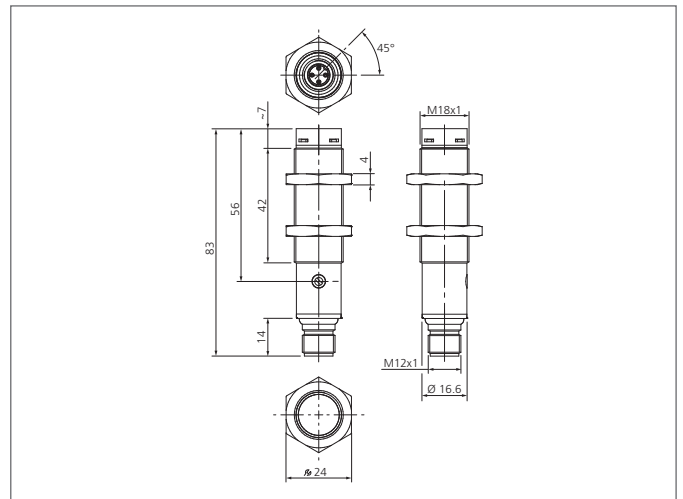
OR 18-1 M 3000 P4-B4 Retroreflective Sensor

- Compact design
- Red light
- Polarized filter
- Sensitivity adjustable
- High resolution, operating frequency, functional reserve
- High operating distance
- Antivalent output



Safety instructions

The Instruments are not to be used for safety applications, in particular applications in which safety of persons depends on proper operation of the instruments.
These instruments shall exclusively be used by qualified personnel.



TECHNICAL INFORMATION (typ.)	+20°C, 24V DC
Operating principle	Retroreflective sensor
Evaluation	digital
Size	M18 x 1 (thread)
Design	screw
Emitted light	Red, 660 nm, clocked, polarized
Operating distance	3.000 mm
Service voltage	10 ... 30 V DC
Internal power consumption	< 30 mA
Sensitivity adjustment	potentiometer
Referring reflector	Ø 84 mm, R 84
Switching output	pnp, 100 mA, exclusive OR
Switching hysteresis	< 10 %
Voltage drop	< 2,0 V
Switching frequency	250 Hz
Response-/release time	< 2 ms / < 2 ms
Ambient temperature	-25 ... +70 °C
Temperature drift	3 mm/K
Ambient light immunity	5 kLx, Halogen light, 10 kLx, Sunlight
Insulation voltage endurance	500 V
Protection class	IP 67
Protection degree	III, operation on protective low voltage
Casing material	brass nickel plated
Material	polymethyl methacrylate (Window)

OR 18-1 M 3000 P4-B4
Retroreflective Sensor



TECHNICAL INFORMATION (typ.)

Connection

+20°C, 24V DC

Connector, M12, 4-poled